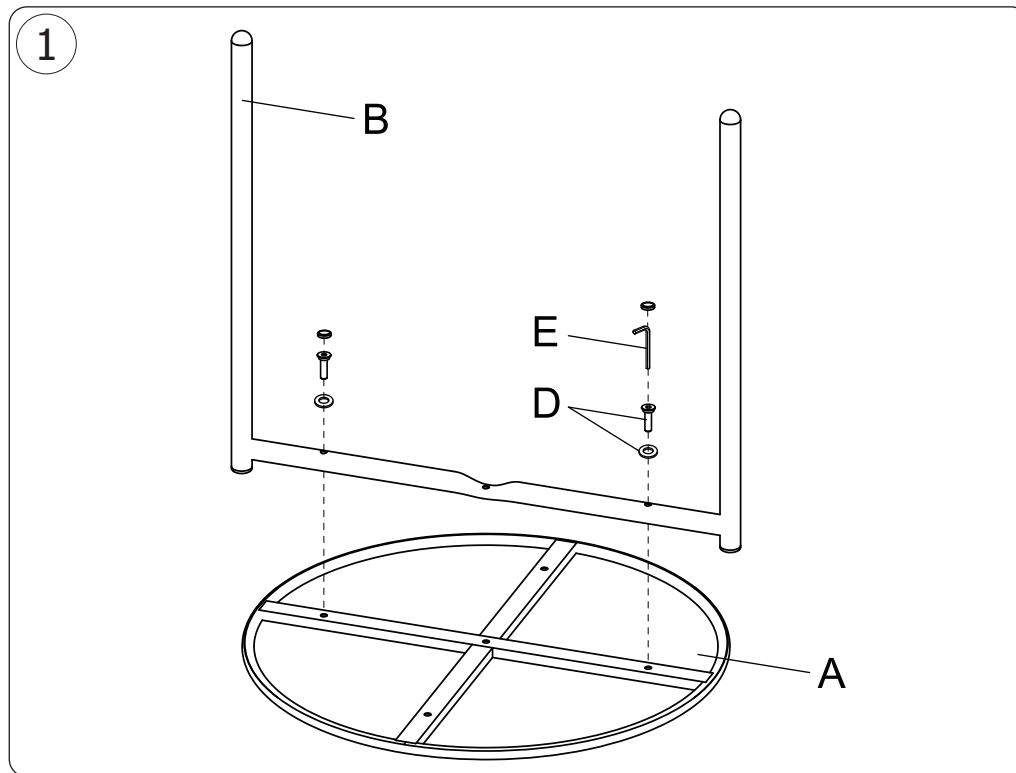
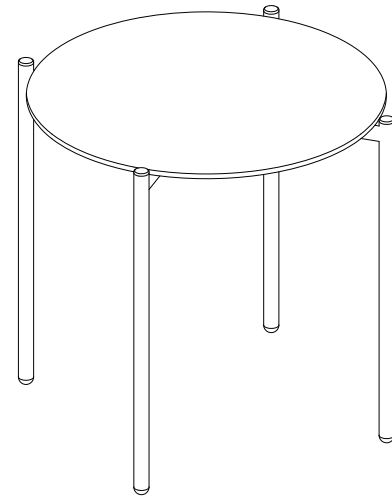
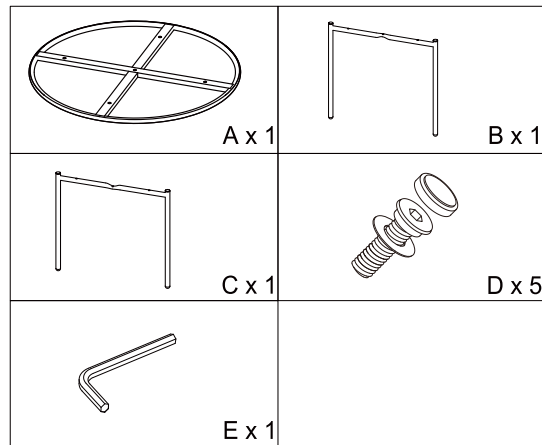


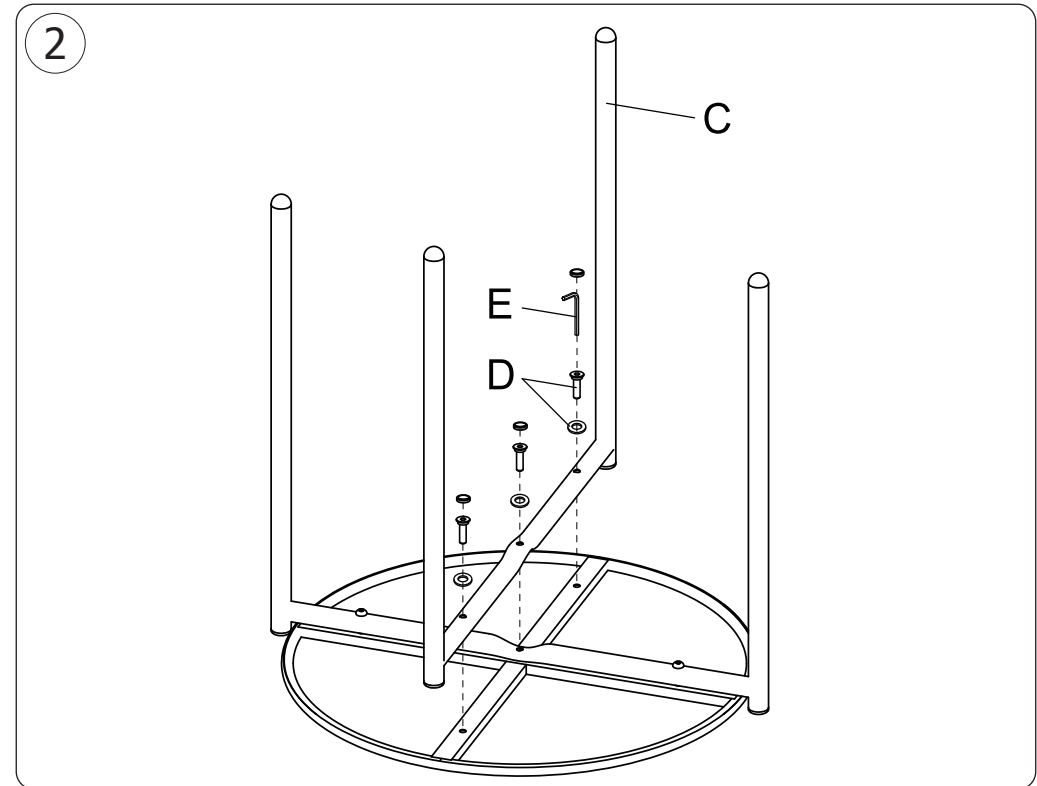
# BOLERO

## HZ377: Side Table Assembly Instructions

### Packed parts



Manual size: A4 folded into A5



**Note: Before assembly, carefully remove all packaging and ensure all parts are present. Please periodically check and tighten assembly.**

**Once assembled please do not attempt to move or lift the table by pulling the table top as this will cause damage to top!**



<b>UK</b>	+44 (0)845 146 2887	Fourth Way, Avonmouth, Bristol, BS11 8TB United Kingdom
<b>Eire</b>		Unit 9003, Blarney Business Park, Blarney Co. Cork, Ireland
<b>NL</b>	040 - 2628080	
<b>FR</b>	01 60 34 28 80	
<b>BE-NL</b>	0800-29129	

<b>BE-FR</b>	0800-29229	
<b>DE</b>	0800 - 1860806	
<b>ES</b>	901-100 133	
<b>AU</b>	1300 225 960	15 Badgally Road, Campbelltown, 2560, NSW, Australia

HZ377\_ML\_A4\_v1\_2024/12/17