

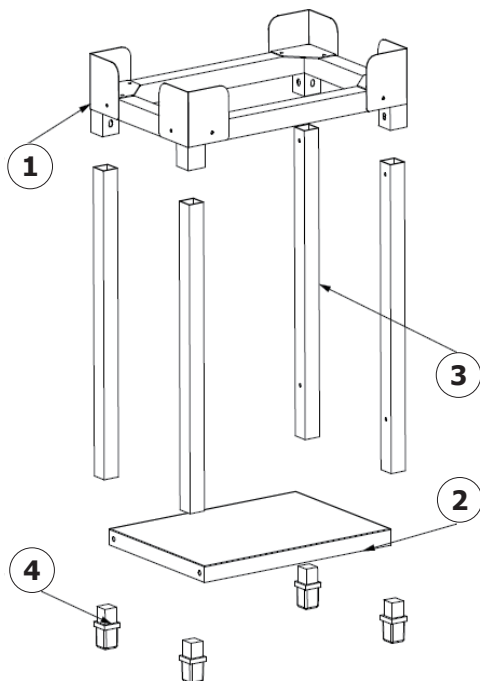
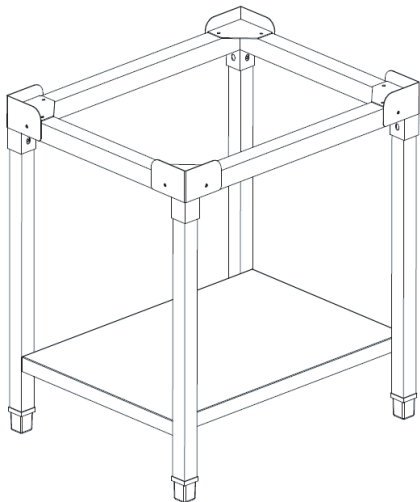
apuro

Fryer Stand
Instruction manual



Telephone Helpline: 1300225960

15 Badgally Road, Campbelltown, 2560, NSW, Australia



Model:
DF501-A / DF502-A

Introduction

Thank you for purchasing the Apuro Fryer Stand. Before operating this product, you should read through the instructions and hints in this manual. This will help you enjoy effective, trouble free results whilst using the product. Keep the instructions in a safe place for future reference.

Apuro will not accept liability for product failures in the event that:

- The instructions in this manual have not been followed correctly.
- Unqualified personnel have adjusted the Fryer Frame.
- Non-original spare parts are used.

Pack Contents

All Apuro products are inspected and tested prior to packing.

This product consists of the following parts:

- Upper frame assembly
- Lower shelf
- Leg (x 4)
- Fixing screw (x 8)

If any of these parts are found to be missing or damaged on arrival, you must contact your supplier immediately.

Installation

Remove the Fryer Stand from the packaging, ensuring that all protective packaging, plastic and residues are cleaned from its surfaces. Layout all components of the stand on the floor ready for assembly. You will need an Allen key to assist in the assembly process.

1. Using the upper frame assembly, take the 4 legs and slot them into the corner positions and fix with the screws. Do not tighten the screws.
2. Take the lower shelf and position between the legs and insert fixing screws. Do not tighten screws at this stage.
3. Place the stand upright and begin to tighten all screws, ensuring the stand remains level and balanced.
4. Locate the stand, in its final position and adjust the adjustable feet into a level position. Your fryer can now be placed onto the stand.

Explosion view

No.	Description	Quantity	Code
1	Upper frame assembly	1	06.05.1473623 (Single fryer stand)
		1	06.05.1473625 (Double fryer stand)
2	Lower shelf	1	01.05.1031585 (Single fryer stand)
		1	01.05.1031590 (Double fryer stand)
3	Leg	4	01.05.1031589
4	Foot	4	02.10.1155172

DF501-A-DF502-A_A5_v1_20210615